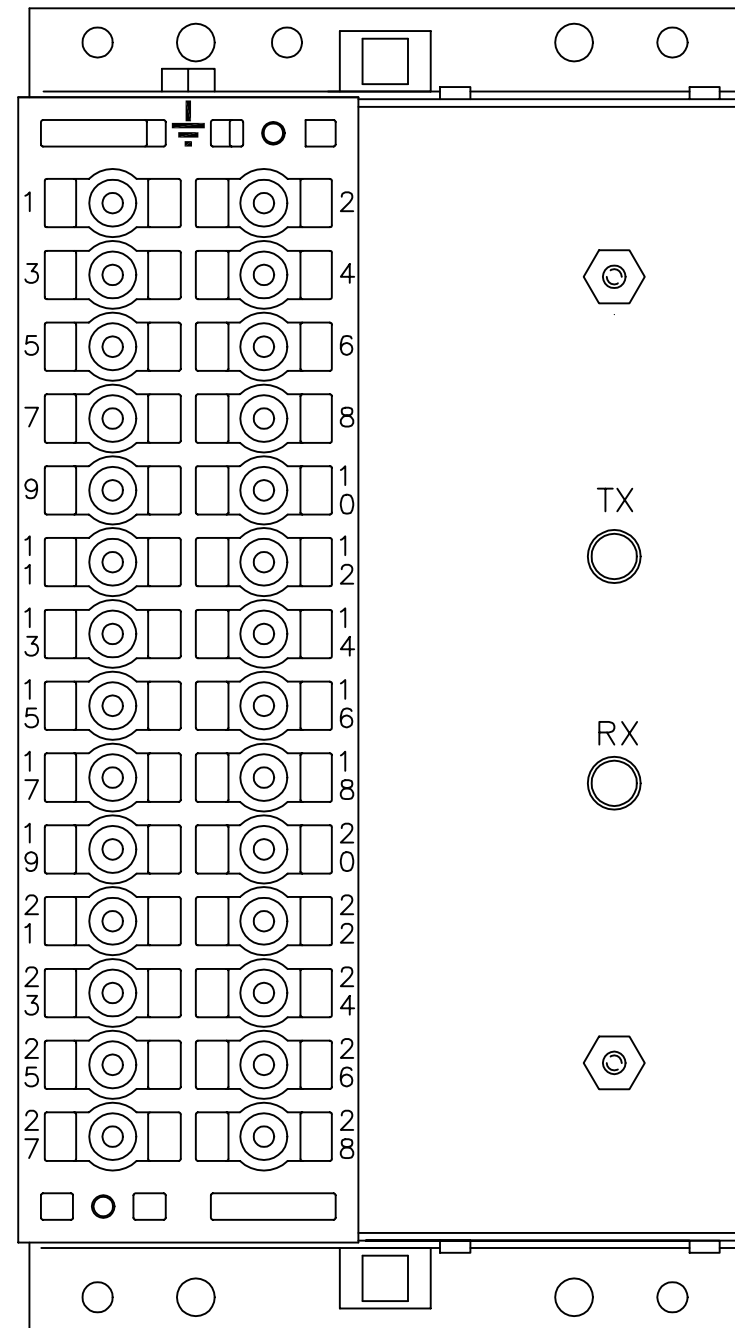
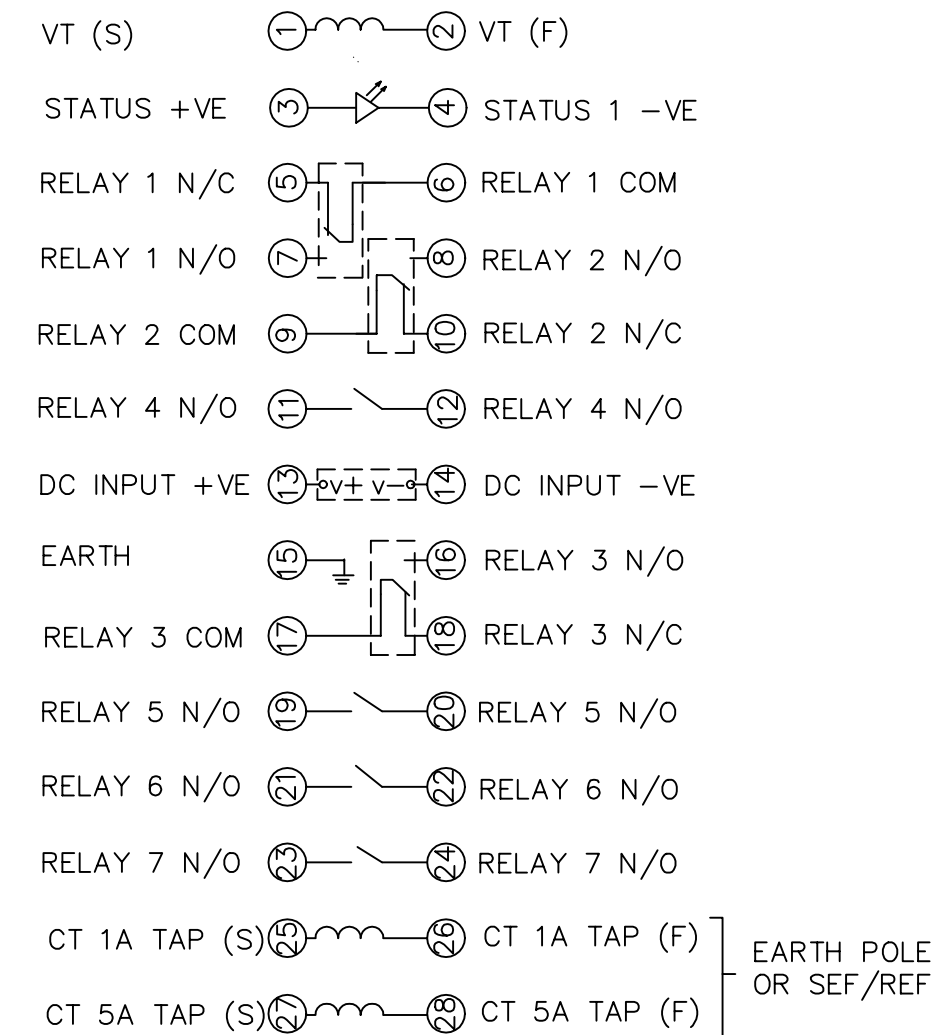


IF IN DOUBT ASK  
DO NOT SCALE



BOX VIEWED FROM REAR

PROTECTION TYPE	SCHEMATIC DIAGRAM
SINGLE PHASE EARTH(DIR)	2434W10049 (A3)
SINGLE PHASE SEF (DIR)	2434W10050 (A3)



OUTER TERMINAL BLOCK ASSY:-  
VIEW BLOCK FROM THE INSIDE FACE

ASSEMBLY INSTRUCTIONS:-

TYPICAL ASSEMBLY DRAWING 2995G10029  
AT INDICATED POSITIONS FIT AS FOLLOWS,  
S - FIT STANDARD CONTACT  
2995B10051  
HC - FIT 'HEAVY CURRENT' KIT  
2995G10030  
WHERE -o-o- IS SHOWN FIT  
CT SHORTING KIT 2995G10031  
POSITIONS SHOWN BLANK ARE UNUSED  
ALL POSITIONS FIT SCREW 2106F12506

2	S	S	1
4	S	S	3
6	-o-o-		5
8	S	S	7
10	-o-o-		9
12	S	S	11
14	S	S	13
16	S	S	15
18	-o-o-		17
20	S	S	19
22	S	S	21
24	S	S	23
26	-o-o-		25
28	-o-o-		27

CHASSIS TERMINAL BLOCK ASSY:-  
VIEW FROM NUMBERED SIDE OF BLOCK

ASSEMBLY INSTRUCTIONS:-

TYPICAL ASSEMBLY DRAWING 2995G10032  
AT INDICATED POSITIONS FIT AS FOLLOWS,  
T - FIT TRIP ISOLATION CONTACT  
2995B10053  
S - FIT STANDARD CONTACT  
2995B10054  
POSITIONS SHOWN BLANK ARE UNUSED

2	S	S	1
4	T	T	3
6	S	S	5
8	T	T	7
10	S	S	9
12	T	T	11
14	S	S	13
16	T	T	15
18	S	S	17
20	T	T	19
22	T	T	21
24	T	T	23
26	S	S	25
28	S	S	27

NOTES:

- TERMINALS RECOMMENDED ARE PRE INSULATED & MUST BE CRIMPED USING APPROVED TOOLING.  
AMP PIDG OR PLASTI GRIP FUNNEL ENTRY (RING TONGUE) FOR M4 FIXING STUD.

SUPPLIER	AMP	CABLE SIZE
AMP	342103	0.25-1.6 SQ MM
AMP	342143	1.0-2.6 SQ MM.

OR ANY OTHER MANUFACTURERS EQUIVALENT TERMINAL.

- FOR OUTLINE & DRILLING DRG SEE 2995X10004 (A4).
- FOR TYPICAL CHASSIS ASSEMBLY SEE 2434H50004.  
FOR TYPICAL CASE ASSEMBLY - ST COMMS. - SEE 2434H50007 (STANDARD RELAY)  
FOR TYPICAL CASE ASSEMBLY - SMA COMMS. - SEE 2434H50001 (NOW NON-STANDARD)

NOT SUBJECT TO UPDATE  
ONCE COPIED / PRINTED  
OR DOWNLOADED

MATERIAL:

Dimensions in millimetres ; Surface texture in micrometres.  
Machine where marked ✓  
For explanation of dimensions, tolerances, notes etc. see B.S.308.  
Limit on untoleranced unmachined dimensions ± \_\_\_\_\_  
Limits on untoleranced machined dimensions to B.S.4500;  
i.e. up to 6±0.1; over 30 to 120±0.3; over 315±0.8;  
over 6 to 30±0.2; over 120 to 315±0.5;  
General unmachined angular tolerance ± \_\_\_\_\_

Finish:

Treatment:

Title:

TERMINAL IDENTIFICATION & RELAY WIRING DIAGRAM  
1 POLE DIRECTIONAL DCD RELAY (E4 CASE)

**Reyrolle Protection  
Hebburn.**

Original Scale.  
1:1

First used on:

Similar Articles:

Supersedes:

Dr. No.

2434W50004

Copyright © 1999 Reyrolle Ltd.

4RDW	09/6/03	MN434/2535
3	18/4/02	MN434/2292
2	22/11/99	MN434/150
1	20/5/99	CHANGE